

# Split Core CT 20-200A SCT010

## DESCRIPTION

The signal powered split core current transducer converts an AC current input signal into a 0-5V DC voltage signal. It uses electro-magnetic isolation theory to isolate its output from input, and can well filter the common-mode noise and interference from power line. The transducer comes with features including good isolation, low drift, wide temperature range and easy to install. Split core structure facilitates connections so that it can be widely used in computer or PLC based measuring and control systems and various automatic systems.

Two models available

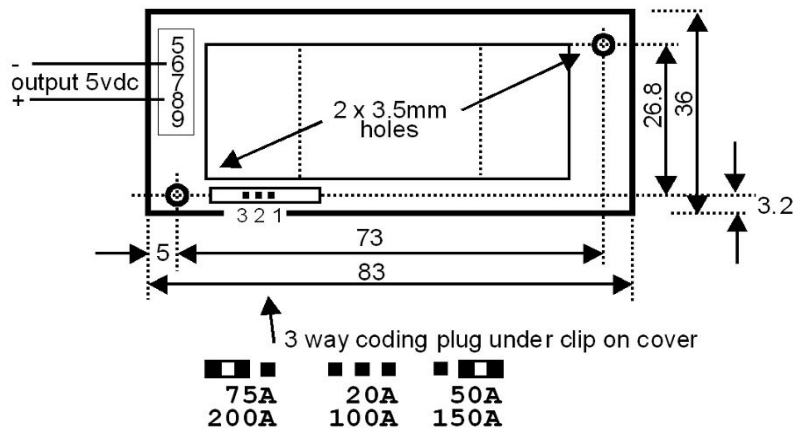
- SCT010-020 can be coding set to 20A, 50A and 75A.
- SCT010-100 can be coding set to 100A, 150A and 200A



## General Specifications

Rated Input: 50/60Hz ranges from 20 to 200A  
 Output: 0 – 5Vdc.  
 T6 = return, T8 = Signal  
 No connections to all other terminals.

Response Time: 200ms  
 Accuracy: < 0.5%  
 Load Capacity: 1M  
 Input Overdrive: 20 times of span and <500A anyway (1 second, 5 times)  
 Temperature Drift: 100ppm/  
 Isolation: 2500V DC / 1 minute  
 Power Supply: No power supply  
 Operate Temperature: 0-50°C  
 Mount: 35mm DIN rail mounting or two M3 screws for surface mounting  
 Diameter of Aperture 31mm  
 Diameter of Opening 50mm  
 Size: 36mm x 83mm x 93mm



**Ordering Code**      **SCT010 - XXX**

**Input:** \_\_\_\_\_  
 020 = 20/50/75Aac  
 100 = 100/150/200Aac

Other current ranges will be available if required.

In the interest of development and improvement, APCS reserve the right to amend, without notice, details contained in this publication. APCS will accept no legal liability for any errors, omissions or amendments.