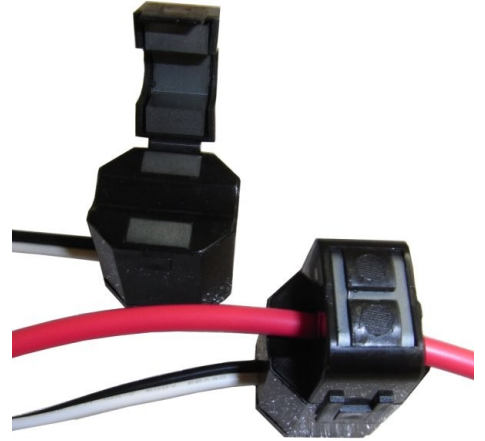


Split Core CT 100A SCT012

DESCRIPTION

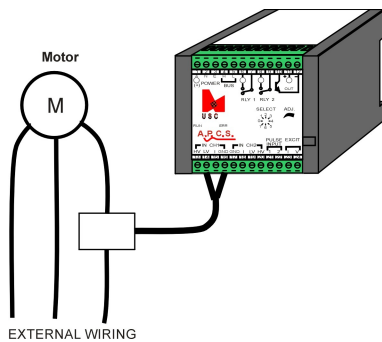
The SCT012 allows removal and refitting without interfering with the load wiring. The SCT012 will extend the current range of any APCS module up to 100A. Very high isolation levels are achieved as the primary conductors insulation is added to the already high isolation level of the SCT012 (5kVrms). The SCT012 develops 0.33mA per Amp-turn in the secondary. The secondary can be safely left short circuit or open circuit. A combined linearity of 0.5% is achieved when the SCT012 is used with an APCS signal conditioning module.



SPECIFICATION

Size:	32 W x 44 H x 32 D mm
Input termination:	Feed primary wire through 16 mm hole
Output termination:	1.5m cable
Protection class:	IP65
Weight:	0.1 kg
Housing material:	Duroplastic (type 31)
Input range:	1 to 100A rms.
Accuracy:	Combined accuracy when used with an APCS module generally 0.5 % FSD
Temperature range:	-10 °C to +60 °C
Input/Output Isolation:	5kV rms
Maximum input:	300A rms
Output Current:	Input current x number of primary turns x 0.33mA
Recommended Load Resistor:	51Ω / 0.5W
Frequency range:	25 Hz to 400 Hz
Open circuit output:	40V
Use with:	ACT141, ACT241, DI739 (2 channels), USC701

Typical Application



In the interest of development and improvement, APCS reserve the right to amend, without notice, details contained in this publication. APCS will accept no legal liability for any errors, omissions or amendments.