

**ac Transducer v1 ACT284**

**DESCRIPTION**

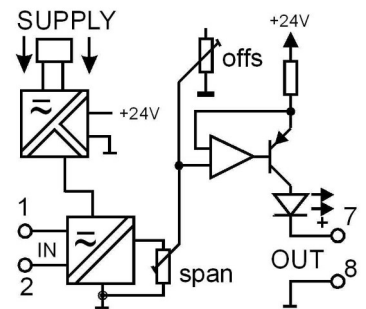
The ACT284 is an isolating transmitter that measures ac voltage or ac current. Input spans up to 1000V or 10A can be manufactured. The input is conditioned rectified and then scaled by an isolating transmitter with a link selectable output providing true 3-way galvanic isolation up to 2000V rms. A wide range ac/dc power supply powers the input and the output circuit with three way power/input/output isolation (There are no separate supply terminals on the signal powered version). Final calibration is trimmed using the front accessible ZERO and SPAN 15-turn trim adjustments. The output signal level is indicated by a green LED on front giving a clear indication of module function. Reverse or direct action are factory configured. Special requirements for input/output response time variation can be accommodated by the customised response time option.



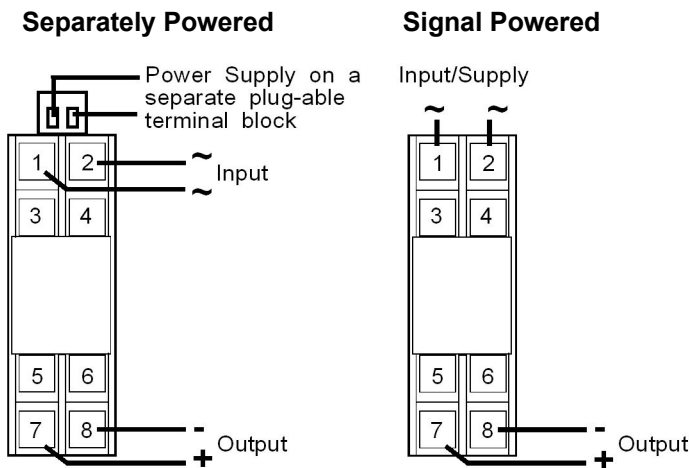
**General Specifications**

Size:	23.5W x 71.5H x 109D (mm).
Mounting:	Clip for 35mm DIN-Rail.
Housing material:	ABS
Termination:	Screw terminals.
Protection class:	IP40.
Weight:	0.106 kg.
Protection class:	IP40.
Front SPAN adjust:	±25% typical.
Front ZERO adjust:	+20/ -10% typical.
Operating temperature:	-10...+60°C.
Output drive:	10mA into 0 - 2kΩ, 20mA into 0 - 950Ω.
Calibration accuracy:	<0.2%.
Combined linearity and drift error:	<0.2%.
Temperature drift error:	Typical 0.02% per °C.
Response time:	0.5 sec to T90.
Supply/Input/Output Isolation:	2kV rms.
Electromagnetic compatibility:	Complies with AS/NZS 4251.1 (EN 50081.1)

**Block Diagram**



**Connections**



For input / output combinations refer to TYPE NO. DESIGNATION overleaf.

### TYPE NO. DESIGNATION

#### Power Supply:

- 0 = Signal powered, voltage inputs only.
- 1 = 85-265Vac 50/60Hz (90–280Vdc)
- 2 = 16-42Vac 50/60Hz (10-60Vdc) .

#### Input Span:

- 1 = 0 - 1Aac.
- 2 = 0 - 5Aac.
- \*) 3 = Other Aac specify 10A max.
- 4 = Use with APCS external CT, specify one of the following and required scaling; 'SCT007(50A), SCT012(100A), SCT008(200A), SCT009(600A)  
All external current transformers must be ordered separately.
- 5 = 0 - 150Vac.
- 6 = 0 – 300Vac
- \*) 7 = Other Vac specify 1kV max
- 8 = Voltage input signal powered specify within 85 - 265Vac.

#### Output:

- 0 = Link Selectable.
- \*) Z = Other (Specify).

#### Measurement:

- 0 = Standard.
- \*) 2 = True RMS.

#### Options:

- 0 = None.
- \*) 1 = Customised response time (Specify).
- \*) Z = Other (Specify).

\*) = Price Extra.

### Output Table 5

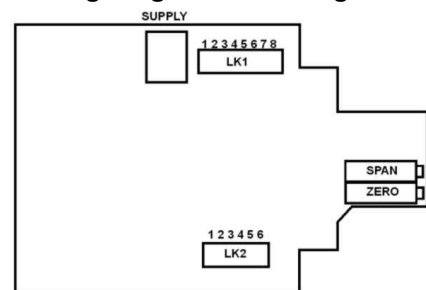
Output	LK2					
	1	2	3	4	5	6
4-20mA	X		X			
0-20mA		X				
0-10mA				X		
0-5V		X				X
1-5V	X		X			X
0-10V		X			X	

### To change ranges

1. Unplug supply plug.
2. Remove terminal covers.
3. Slightly depress lid to base clips and withdraw from housing.
4. Set coding plugs as required.
5. Reassemble unit and connect power.
6. Adjust SPAN and ZERO pots to recalibrate.
7. Change the label information to

the new input/output values.

### Coding Plug Location Diagram



In the interest of development and improvement, APCS reserve the right to amend, without notice, details contained in this publication. APCS will accept no legal liability for any errors, omissions or amendments.