

4 Digit LED Indicator v1 DPMC32

DESCRIPTION

The DPMC32 is a 4 digit 14mm LED indicator. It is self maintained and designed for mounting into control panels, consoles and other industrial control equipment requiring the display of process data or measurement variables. The front size is a DIN-standard 96 x 48mm, which can be easily matched with other DIN-standard instruments or incorporated into 24mm tile-mimic designs. Decals are provided for engineering unit display. The decimal point position and display scaling is achieved by removing the front cover and using two push buttons. Sturdy screw terminals for power and signal input at the rear of the indicators enable easy wiring access.



TECHNICAL DATA

Accuracy: F.S \pm 0.25% (most models)
 F.S \pm 0.5% for RTD, T/C inputs.

Update rate: 2/sec.

Display: 4 - red LED 14mm digit.

Power Supply's: 230V/110 Vac, 8-60dc, 60-240dc

Maximum input: 120% of range.

Dimensions: 96 W x 48 H x 120 D mm.

Panel cut-out: 92 x 45

Mounting: Slide clamp bars.

Weight: 0.3 kg.

Connections: rear screw terminals

Decimal point: programmable

Zero tracking: automatic.

Polarity: negative - minus sign.
 positive - no sign.

Common mode voltage: Supply / Input -0.5...+2V.

Common mode rejection: better 80dB.

Ambient temp. range: -10...+60°C.

Storage temp. range: -20...+70°C.

Protection category front: IP50.

Protection category rear: IP00.

Electromagnetic compatibility: AS/NZS 4251.1
 (EN 50081.1)

DPMC32 - X XX

Power Supply:

- 1 = 230 50/60Hz \pm 10% terminals 9 and 11
- 110 50/60Hz \pm 10% terminals 9 and 10.
- *) 6 = 16-42Vac / 10 - 60Vdc terminals 9 and 10.
- *) 8 = 80-280Vac / 60 - 300Vdc terminals 9 and 11.

Input:

Specify range, display scale and engineering units when ordering.

- 01 = 4 -20mA externally sourced.
- *) 02 = 4 -20mA 2-wire
- *) 21 = DC voltage 2kV max.
- *) 22 = DC millivolt, <100mVdc.
- *) 23 = Bipolar voltage 10mV to \pm 2kV.
- *) 24 = DC current 5A max.
- *) 30 = AC voltage 10mV to 500V span.
- *) 31 = AC current 10mA to 5A span.
- *) 32 = True rms.
- *) 33 = Thermocouple input.
- *) 34 = RTD input.
- *) 35 = Frequency input.
 (Sine, Triangle, Square, Pulse).
 Cal range: 0-10Hz 0 - 5kHz.
 Sensitivity: 200mVpp. (70mV rms) min.
 22Vpp. max.
- *) 36 = Frequency (NAMUR, contact).
- *) 37 = Frequency (NPN Prox 20V).
- *) 38 = Frequency (PNP Prox 20V).
- *) 39 = Resistance input (constant current excitation).
- *) 42 = Potentiometer 3W voltage excited.
- *) 44 = Conductivity (50mS/cm to 100mS/cm [K=1]).
- *) 49 = pH / OPR input
- *) 50 = Load cell input.
- *) 61 = Adder, 2 inputs 4-20mA floating.
- *) 62 = Subtractor, 2 inputs 4-20mA floating.
- *) 64 = MIN selector, 2 inputs 4-20mA signal.
- *) 65 = MAX selector, 2 inputs 4-20mA signal.
- *) 99 = Other.
- * = Price Extra.
- # = Must use with power supply 6 or 8.

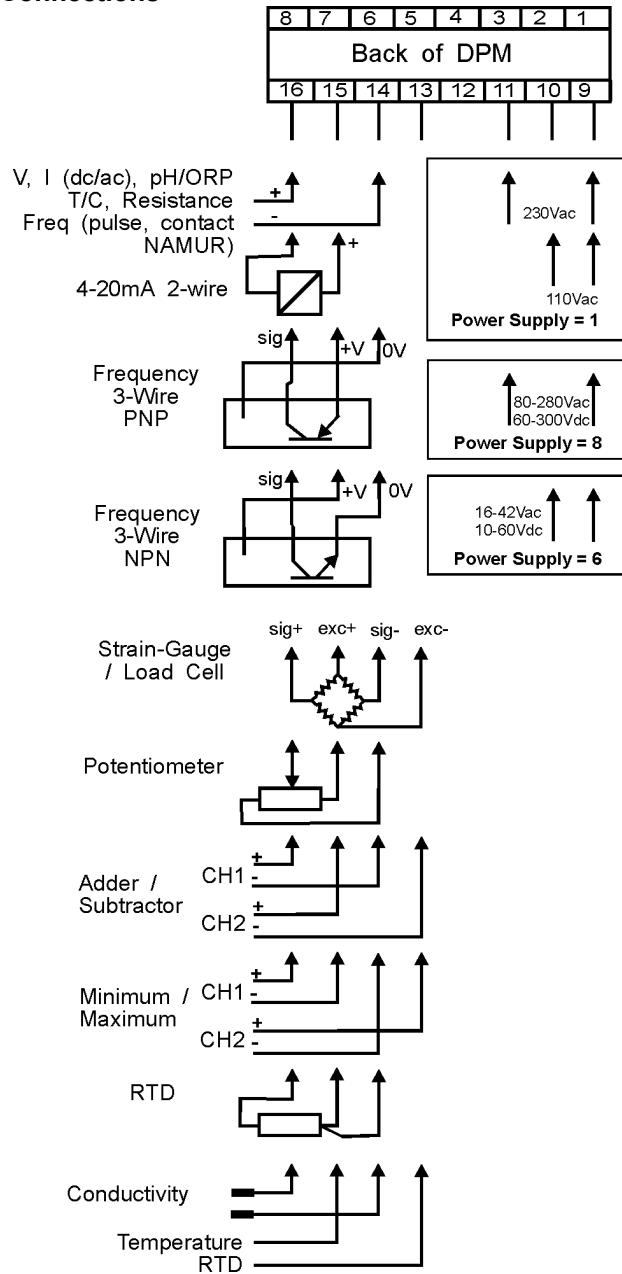
In the interest of development and improvement, APCS reserve the right to amend, without notice, details contained in this publication. APCS will accept no legal liability for any errors, omissions or amendments.

Program Scale and Decimal Point

While in setting mode press SHIFT to accept digit and UP to cycle through the available values.

1. Remove the front bezel by pulling the clips on either side of the front display toward the front.
2. The shift (left) and up (right) buttons are now exposed. Press SHIFT and UP simultaneously to enter LO value.
3. SHIFT through each digit and decimal point and set to desired value.
4. When the desired LO value is displayed press SHIFT and UP simultaneously to enter HI value.
5. Repeat process for HI value and Ad (address) value.

Connections



In the interest of development and improvement, APCS reserve the right to amend, without notice, details contained in this publication. APCS will accept no legal liability for any errors, omissions or amendments.