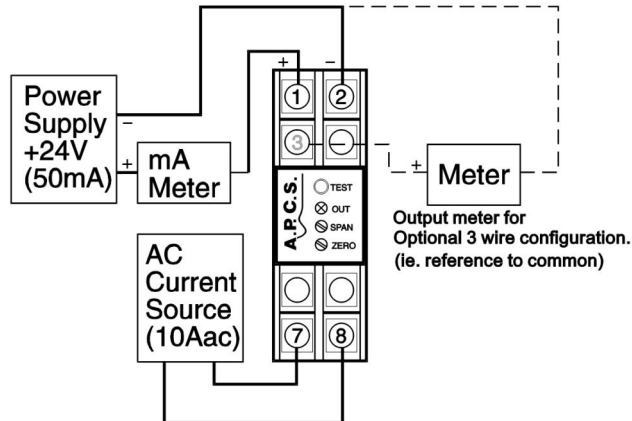


Calibration: ACT241 Current Transmitter

Test Set-up



Test Procedure C158

1. Select input calibration required by fitting a link on position 1 for 1A or position 5 for 5A range.
2. Connect ACT241 as above.
3. Power up unit, check if led lights up.
4. Input 0Aac signal, adjust external 'zero' pot to low scale value output.
5. Input full scale value ac signal current, adjust external 'span' pot for full scale value output.
6. Continue steps 4 & 5 until correct.
7. Input mid scale value ac signal current, check if output reads mid scale value.

In the interest of development and improvement, APCS reserve the right to amend, without notice, details contained in this publication. APCS will accept no legal liability for any errors, omissions or amendments.