

OPTION 07:

NOTES

The range of the gain and bias adjustments are manufactured to the customer requirements.

If a gain range specified is 0 - 100% and the nominal input is 0 - 10V for 0 - 10mA output then;

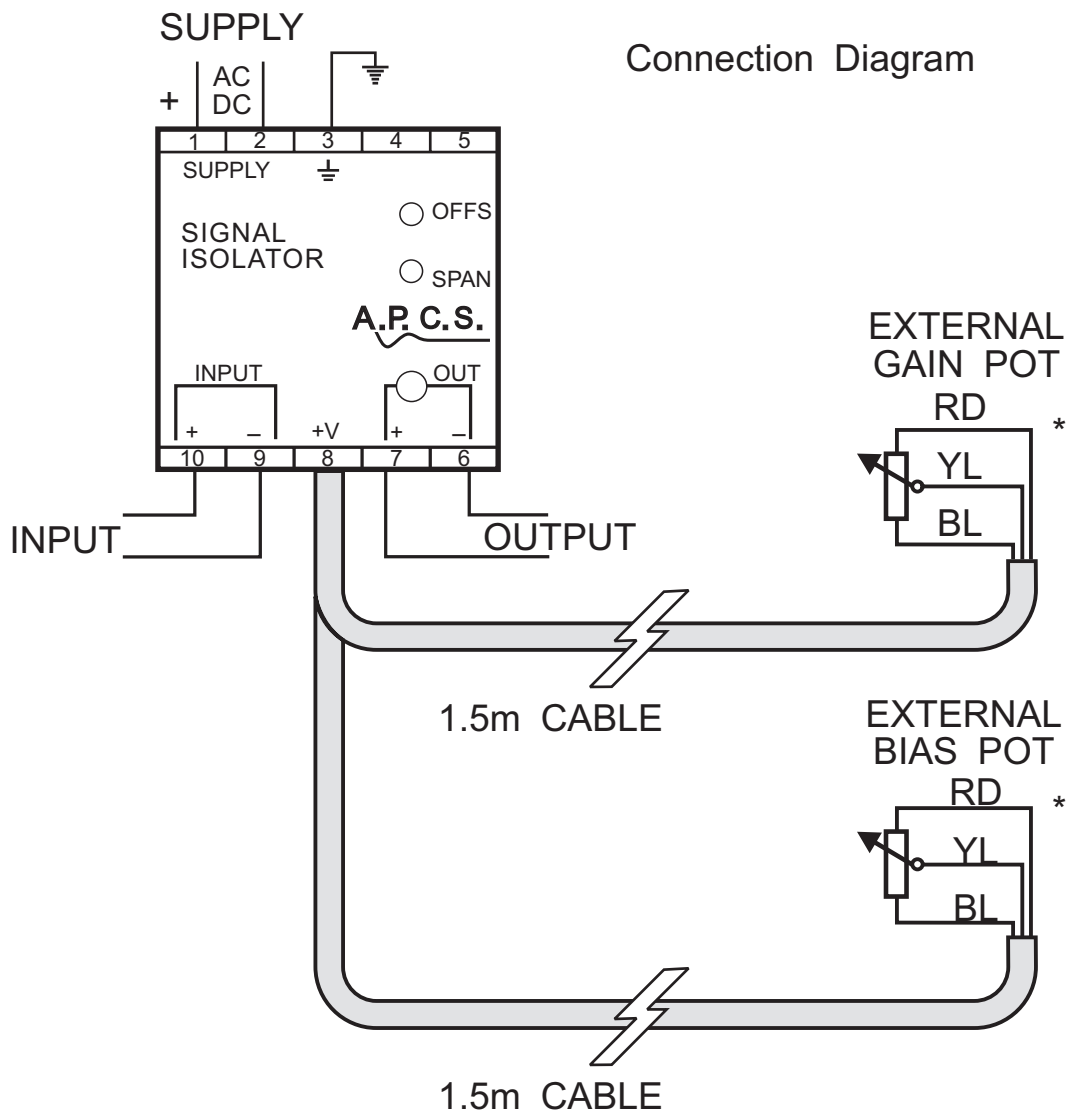
- When the gain is set to the minimum the output range for 0 - 10V in will be 0 - 0mA. Out.
- When the gain is set to the maximum the output range for 0 - 10V in will be 0 - 10mA out.

If a gain range specified is 50 - 150% and the nominal input is 0 - 10V for 0 - 10mA output then;

- When the gain is set to the minimum the output range for 0 - 10V in will be 0 - 5mA. Out.
- When the gain is set to the maximum the output range for 0 - 6.67V in will be 0 - 10mA out.

The range of the bias adjustment can be 0 - 100%.

- If the gain is set at 100%, and bias is set to 10% then 1 - 10V input results in a 0 - 9mA output.
- If the gain is set at 100%, and bias is set at 50% then 5 - 10V input results in 0 - 5mA output



* Single turn 5K potentiometers are included

This document must not be copied without our written permission, and the contents thereof must not be imparted to a third party nor be used for any unauthorized purpose. Contravention will be prosecuted.