

# Option - 3 Wire Pot Input S1139

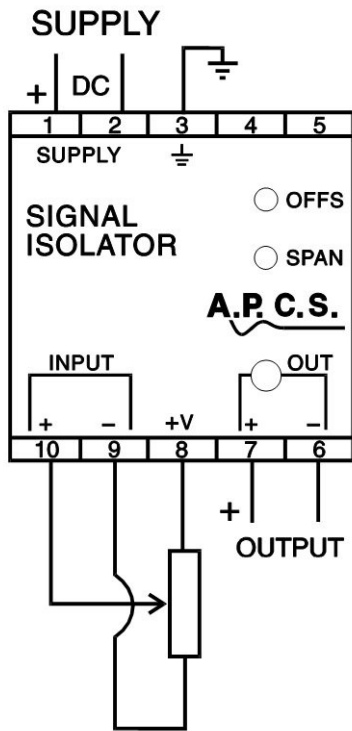
## DESCRIPTION

A reference voltage is supplied in terminal 8 of the S1139. The potentiometer or slide wire is connected between the reference (pin 8) and 0V (pin 9). The wiper output is then used as a voltage input to perform the re-transmit function

## Additional Specifications

Output reference voltage: 5V, 5mA  
 Minimum potentiometer resistance: 1k

## Connection



In the interest of development and improvement, APCS reserve the right to amend, without notice, details contained in this publication. APCS will accept no legal liability for any errors, omissions or amendments.