

## Phase-out inputs for BSI234

Input Options for BSI234.....	1
Option 4: Thermocouple Input.....	1
Option 5: RTD Input.....	1
Option 6: Frequency / Pulse Input.....	2
Frequency Input.....	2
DC Pulse Input.....	2
Option 7: Resistance 2-Wire.....	2
Option 8: AC Current / Voltage.....	2
AC Voltage.....	2
AC Current.....	2

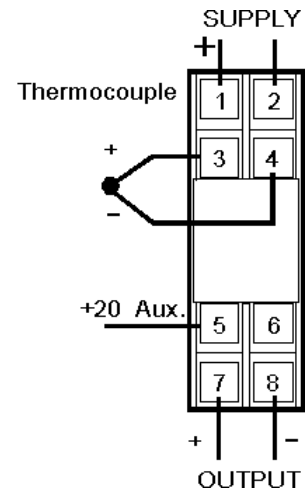
### Option 4: Thermocouple Input

The BSI234 can be equipped with a special thermocouple input circuit. Thermocouple types can be E, J, K, N, R, S and T. Automatic cold junction compensation is standard. On request the circuit can be configured for up-or-down scale burn-out.

T/C input spans: 4mV up to 80mV  
 Input impedance: > 1MΩ  
 Calibration accuracy: <0.5% of range.  
 Cold junction compensation error: 0.02% per °C C/J change, over ambient range of 0-60°C with input range 100°C

When ordering you must specify:

T/C type: (E, J, K, N, R, S, or T)  
 Cal: ? - ???°C



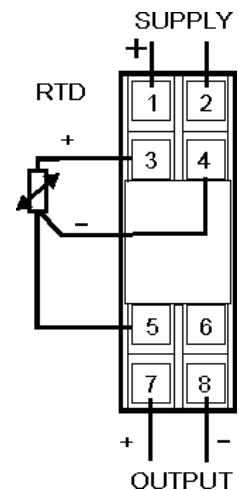
### Option 5: RTD Input

The standard RTD (resistance temperature detector), is Platinum 100 (100 Ω at 0°C), however any user specified type of RTD can be accommodated as long as there is no substantial non-linearity. The RTD is part of an input bridge circuit and should be wired in 3-wire fashion to avoid errors caused by lead resistance changes. 2-wire connection can be used where a short lead length under constant temperature condition will not generate a resistance change. Sensor excitation current is as low as 0.6mA preventing self-heating of the sensor. Lead breakage will cause the output to increase to maximum (30mA).

Combined linearity and drift error: 0.5% of span  
 Temperature effect: 0.01 % per °C  
 Input span: 7.8Ω up to 290.3Ω (20°C...850°C Pt100)  
 10°C range is also available with reduced accuracy

When ordering you must specify:

Sensor: (Pt100)  
 Cal: ? - ???°C



## Option 6: Frequency / Pulse Input

### Frequency Input

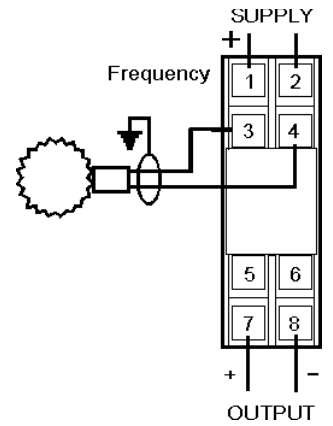
The BSI234 can be configured for frequency input, accepting most pulse signals down to 0.2Vpp.

Calibration range: 0 - 10Hz up to 0 - 5kHz  
 Input type: Sine, Triangle, Pulse, Square 200mVpp min (70mV rms). 22Vpp max.

Input impedance: typically 3kΩ.  
 Linearity & repeatability: 0.2% of range  
 Temperature effect: 0.012% / °C  
 Offset: -50% of range (e.g. 1 - 2kHz input)

When ordering you must specify:

Cal: ???-???Hz  
 Level: 200mVpp min, 22Vpp max



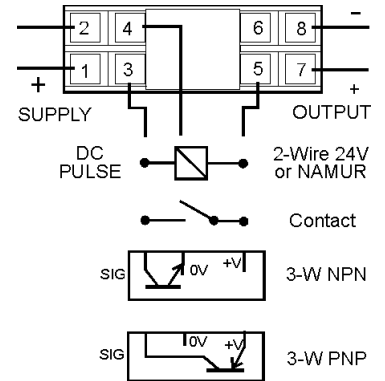
### DC Pulse Input

The BSI234 can also accept a pulse input from proximity sensors or passive devices such as contact or open collector devices. An auxiliary supply of 8Vdc or 24Vdc is available at terminal 5,

Calibration range: 0 - 10Hz up to 0 - 5kHz  
 Input impedance: typically 3kΩ  
 Linearity & repeatability: 0.2% of range  
 Temperature effect: 0.012% / °C  
 Offset: -50% of range (e.g. 1 - 2kHz input)

When ordering you must specify:

Device: (NAMUR, NPN Prox, PNP Prox, or Contact)  
 Aux Supply: between 8 and 20V (NAMUR 8V)  
 Frequency: ??? - ??? Hz



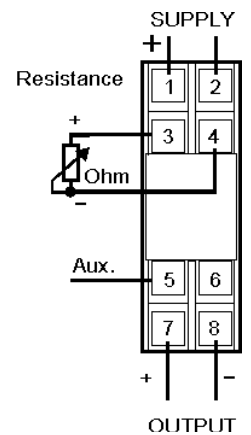
## Option 7: Resistance 2-Wire

The resistance or slide wire receives a constant load independent current from a current source being part of the BSI234. This current source is configured for two basic ranges: 4mA or 40mA. Final adjustment is carried out by a 15-turn internal trim potentiometer to suit the resistance sensor.

Input span: 2Ω up to 5kΩ  
 Combined linearity and drift error: 0.5% of input range.

When ordering you must specify:

Cal: ??-?? ohms (input span 0-2ohm up to 0-5k ohm)



## Option 8: AC Current / Voltage

### AC Voltage

For AC-voltage input the BSI234 can be equipped with a precision rectifier circuit.

Input range: 10mV up to 500Vac  
 Input impedance: 12kΩ for 10mV input, > 1MΩ for 500V input.  
 Combined linearity and drift error < 0.5% of range

When ordering you must specify:

Cal: ?-???Vac (input range 10mV up to 500Vac)  
 Frequency: 50Hz ?

### AC Current

For AC-current input to the SSP235, either an internal shunt or CT is fitted.

Input range: 0.5mA up to 10Aac (40-60Hz Sine)  
 Input impedance: 0.008Ω at 5A

When ordering you must specify:

Cal: 0-???Aac (0.5mA up to 10Aac)  
 Frequency: 50Hz

