

APC253 With RTD Input

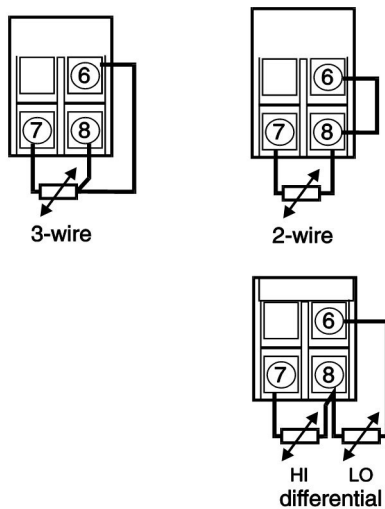
DESCRIPTION

The RTD input option accepts inputs from any type of resistance bulb with a signal swing of 7Ω up to 230Ω . In the case of the popular industry standard Pt100 this would represent a temperature span from 15°C up to 650°C . The RTD is wired in 3-wire fashion to avoid errors caused by lead resistance changes. Lead calibration resistors are not required as the front accessible span and offset trimmers can be used for final system calibration. Sensor excitation current is as low as 0.35mA preventing self-heating of the sensor. Lead breakage will cause the output to increase to maximum.

Specifications

Temperature drift error:	$0.02\% / ^{\circ}\text{C}$ within operating range.
Input range:	7Ω up to 230Ω (20°C up to 650°C , Pt100).
Sensor excitation:	$350\mu\text{A}$.

Connection



In the interest of development and improvement, APCS reserve the right to amend, without notice, details contained in this publication. APCS will accept no legal liability for any errors, omissions or amendments.