

Voltage Presence Relay v2 VPR271

DESCRIPTION

The VPR271, Voltage Presence Relay provides an economical and compact solution to monitoring of 3-phase voltage up to 800V phase to phase (500V phase/neutral) with two relay outputs or external LED and relay indicating;

- Loss of three phases
- Loss of one phase.

The 3-phase voltage plus neutral can be directly connected to the VPR271 as long as the maximum phase-to-phase voltage does not exceed 800V. To use the VPR271 where there are momentary or surge voltages above maximum input voltage a surge filter like the APCS SPL0929 or a step down transformer (PT) must be used. Neutral must be connected for proper operation. The VPR271 is signal powered from the incoming AC-voltage.



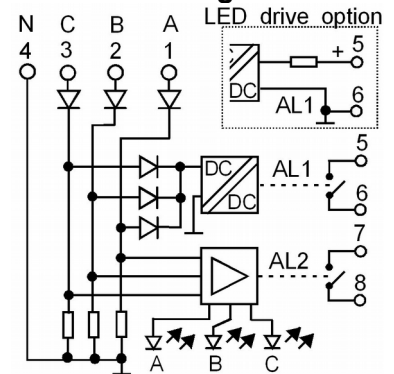
Function

- With any phase present the internal step down DC/DC converter will energise AL1 a relay contact or an external LED drive.
- A trip circuit providing LED indication of phase presence monitors each phase.
- AL2 will de-energise if any one of the three phases fail.
- If all three phases are present then both AL1 and AL2 are energised.

General Specifications

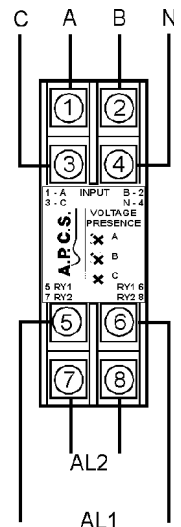
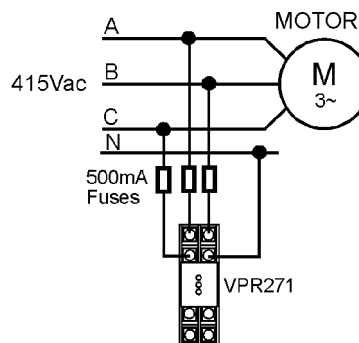
Size:	23.5W x 71.5H x 109D (mm).
Mounting:	Clip for 35mm DIN-Rail.
Housing material:	ABS.
Connection:	Screw terminals.
Protection class:	IP40 (IP65 Enclosure opt.)
Weight:	0.15 kg.
Input:	200 to 800 phase to phase voltage 40 to 1000Hz.
Trip threshold	<100V phase to neutral
Relay contacts:	8A/250Vac.
External LED drive:	24V / 20mA
Repeatability:	5%.
Dead-band:	10% of range.
Response time:	0.5 Sec.
Input to output isolation:	2.5kV rms.
Electromagnetic compatibility:	Complies with AS/NZS 4251.1 (EN 50081.1)

Block Diagram



Ordering Information VPR271 - X X 10

- Input: _____
 1 = 200-800Vac phase/phase
 (100-500V phase to neutral)
- Output: _____
 1 = AL1 = N/O contact (closed when energised).
 AL2 = N/O contact (closed when energised).
 2 = AL1 = 24V/20mA for external LED.
 AL2 = N/O contact (closed when energised).



External 500mA fuses are recommended.

In the interest of development and improvement, APCS reserve the right to amend, without notice, details contained in this publication. APCS will accept no legal liability for any errors, omissions or amendments.