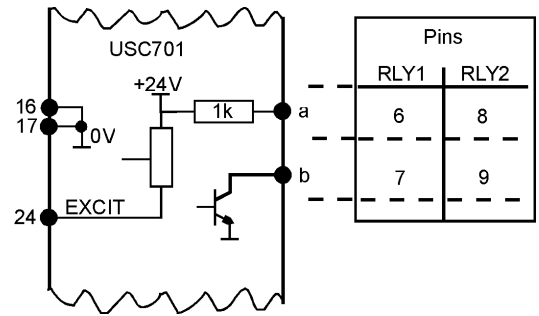


Relay Options for S709

Relay Option 1

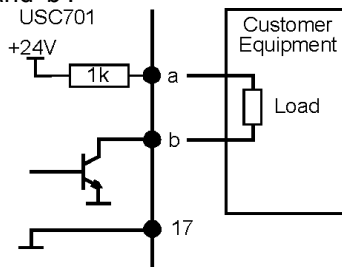
This option can be applied to RLY1, RLY2 or both. The output relay is replaced with an open collector NPN transistor, the collector on terminal 'b' and current limiting resistor from an internal 24Vdc power supply to terminal 'a'.

1. There is no isolation between the input circuits and the transistor outputs.
2. Output 'OUT' pins 10, 11, 12 are still isolated from all other pins.
3. Supply pins 1 and 2 are isolated from all other pins.

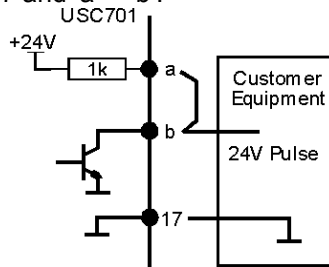


Application

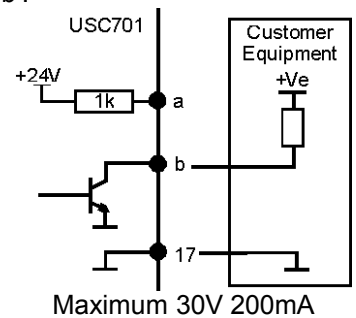
A low current relay or optical isolator could be connected directly between terminals 'a' and 'b'.



For a 24V pulse output terminals 'a' and 'b' are joined, the output is between terminal 17 and 'a' - 'b'.



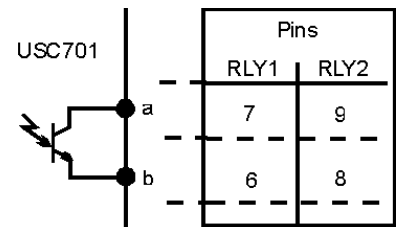
To connect to a pulse input of external equipment the output is taken from terminal 17 and 'b'.



Relay Option 2

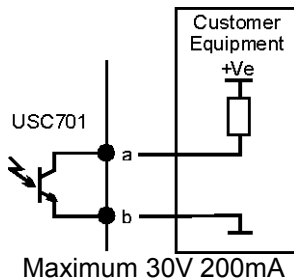
This option can be applied to RLY1, RLY2 or both. The output relay is replaced with an isolated open collector NPN transistor, the collector on terminal 'a' and emitter on terminal 'b'.

1. There is full isolation between the input circuits and the transistor outputs plus the transistor outputs are isolated from each other if both fitted.
2. Output 'OUT' pins 10, 11, 12 are still isolated from all other pins.
3. Supply pins 1 and 2 are isolated from all other pins.



Application

To connect to a pulse input of external equipment the output is taken from terminal 'a' and 'b'.



In the interest of development and improvement, APCS reserve the right to amend, without notice, details contained in this publication. APCS will accept no legal liability for any errors, omissions or amendments.