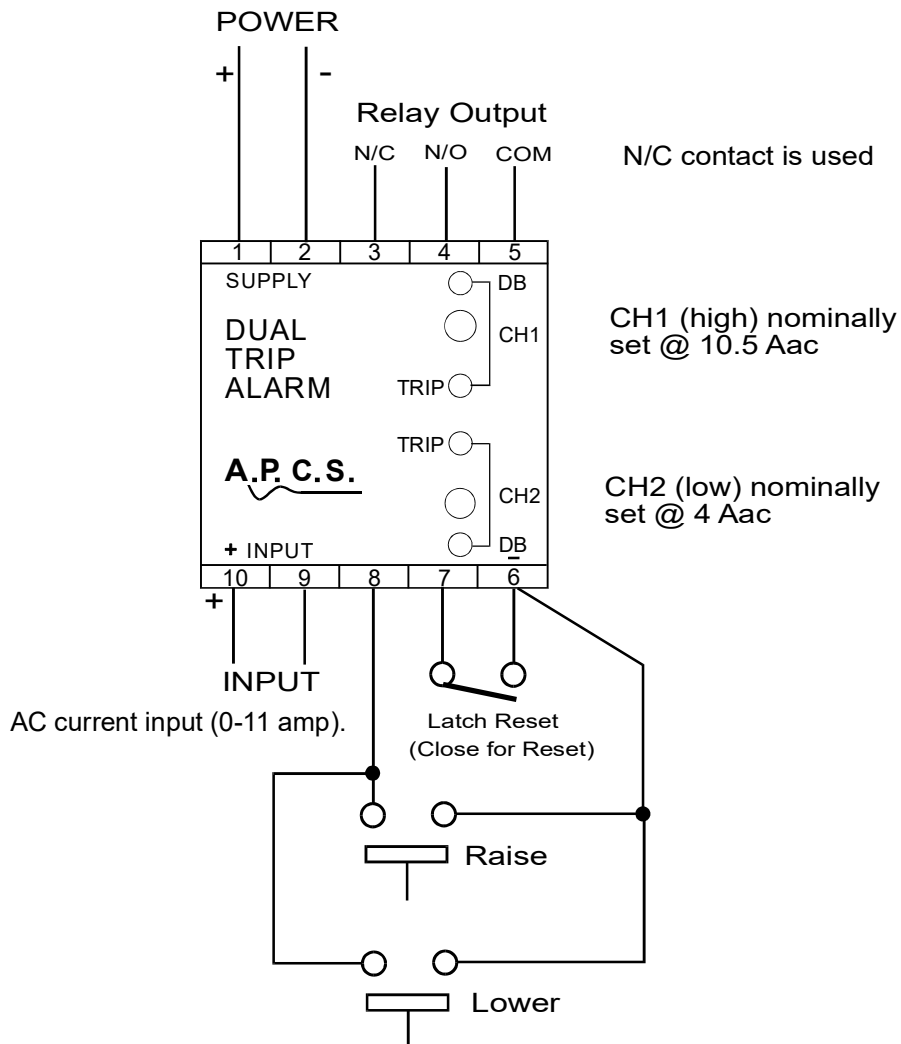


This document must not be copied without our written permission, and the contents thereof must not be imparted to a third party nor be used for any unauthorized purpose. Contravention will be prosecuted.



- a) With Raise or Lower push button not pressed, relay is kept de-energized and no latching can occur.
- b) When the Raise or Lower push button is closed, there is no change to 'a)' for one second.
- c) After 1 second:-
 - * If input between Low Set (CH2) and high set (CH1), relay is de-energized.
 - * If input < Low Set, relay is energized and latched, and Low LED is latched.
 - * If input > High Set, relay is energized and latched, and High LED is latched.
- d) If the raise or Lower push button is not pressed, then pressing the 'RESET' switch removes the latch.