

3 Input Signal Powered Isolator **SPL0837**

DESCRIPTION

The SPL0837 is an isolating converter providing galvanic isolation to 2kV rms. The SPL0837 produces an isolated unipolar output signal from one of three inputs.

As SPL0837 is signal powered, the measured input signal input also powers the SPL0837 and provides the isolated output signal drive.

There are three three signal powered inputs, which can be externally switched in or just connect the one input range you require. The calibration of the three inputs can be calibrated to suit your application.

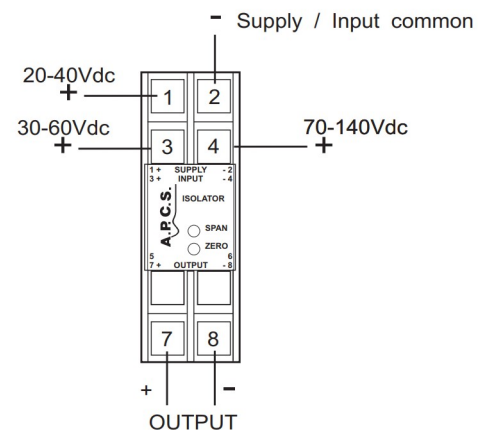
The front adjustments ZERO and SPAN affect all three ranges.

Final calibration is trimmed using the front accessible zero and span 15-turn trim adjustments. Maximum current drive is 20mA and maximum voltage drive is 20V.



General Specifications

Size:	23.5W x 71.5H x 109D (mm).
Mounting:	Clip for 35mm DIN-Rail.
Housing material:	ABS.
Termination:	Top mounted screw terminals.
Protection class:	IP40 (IP55 Enclosure Opt).
Weight:	0.120 kg.
Protection class:	IP40.
Calibration accuracy:	<0.2%.
Front 'SPAN' adjust:	±25% typical.
Front 'ZERO' adjust:	+20/ -10% typical.
Linearity:	<0.1%.
Long term drift:	<0.1%.
Temperature effect:	Typically 0.025% of span per °C.
Operating temperature:	-10...+60°C.
Input range 1:	20-40Vdc.
Input range 2:	30-60Vdc.
Input range 3:	70-140Vdc.
Maximum input voltage:	160Vdc
Output drive:	10mA into 0 – 2kΩ, 20mA into 0 – 1kΩ.
Input / Output Isolation:	2kV rms.
Electromagnetic compatibility:	Complies with AS/NZS 4251.1 (EN 50081.1)



In the interest of development and improvement, APCS reserve the right to amend, without notice, details contained in this publication. APCS will accept no legal liability for any errors, omissions or amendments.