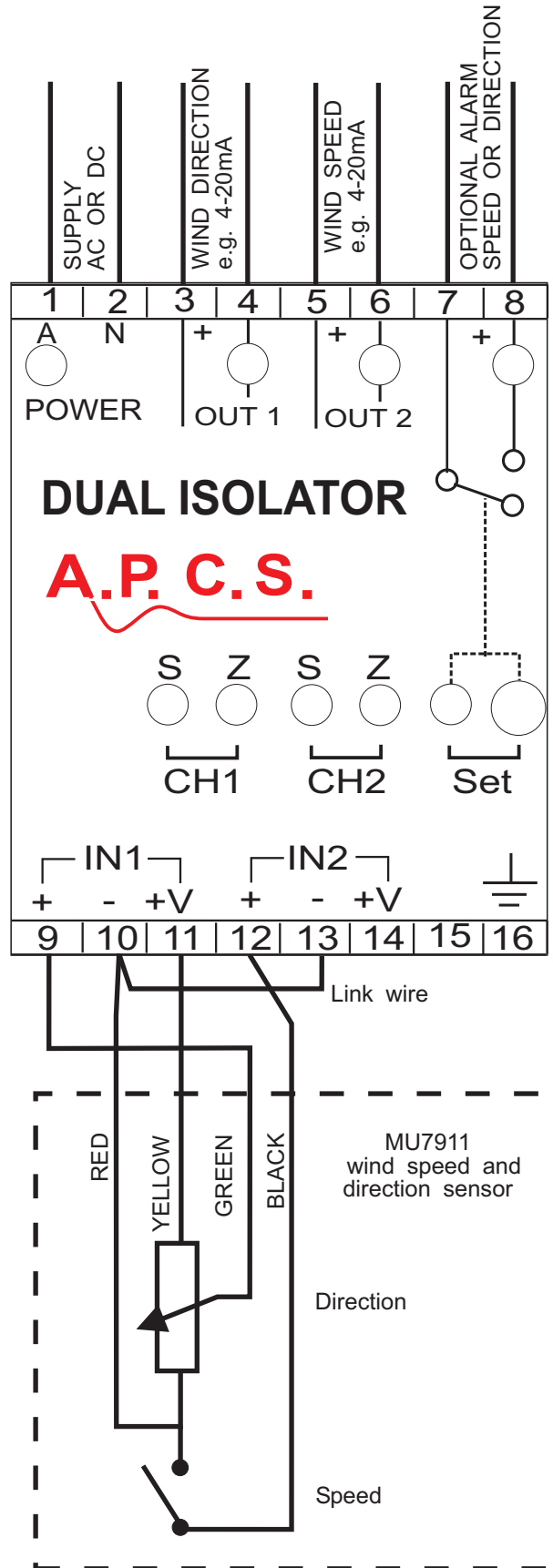


This application provides analogue signals for wind speed and wind direction to be used as inputs to PLC's, indicators, dataloggers, recorders or any other process control device. The optional contact can be used for wind speed or direction alarming.

Typical ordering Detail

Dual Isolator
 Part Number: DI739-142136100
 Power Supply: 80-300Vdc, 80-280Vac
 Input Opt: 1 Potentiometer 3W voltage exc.
 Output: 1 Link Selectable
 Sel Range: 4-20mA
 Input Opt: 2 Pulse (NAMUR, Contact)
 Frequency: 0 - 27.6 Hz
 Output: 2 Link Selectable
 Sel Range: 4-20mA

CH2 Alarm: Not fitted



This document must not be copied without our written permission, and the contents thereof must not be imparted to a third party nor be used for any unauthorized purpose. Contravention will be prosecuted.